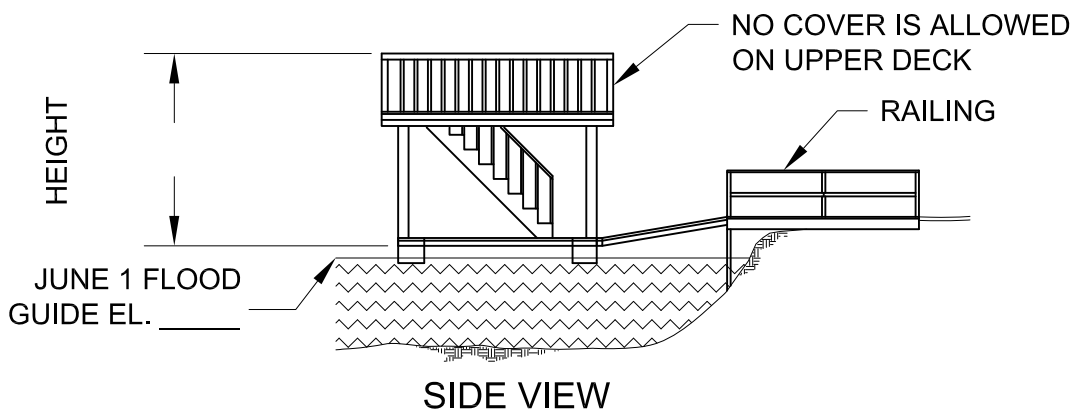
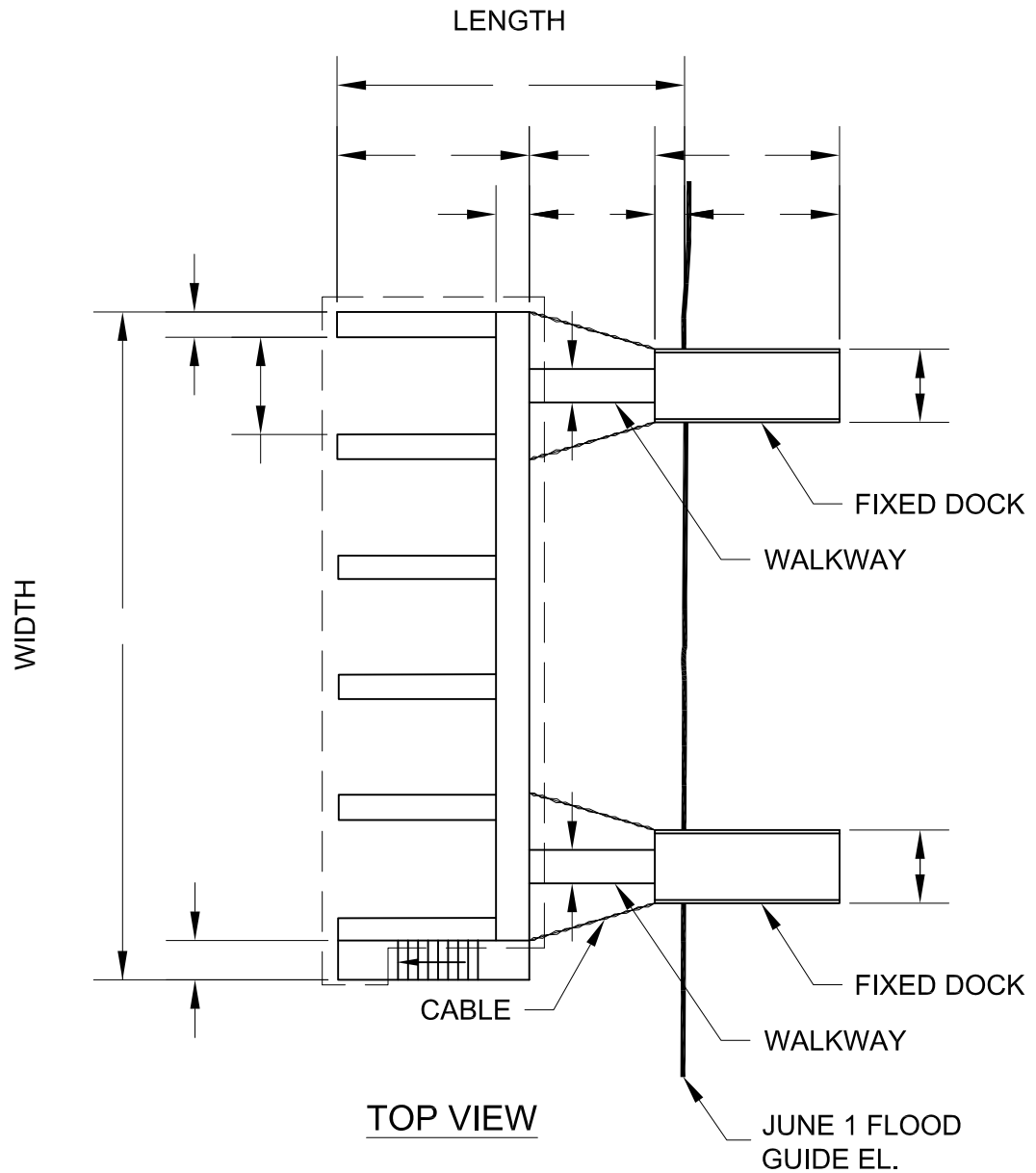


NOTE: INCLUDE ALL DIMENSIONS WHERE INDICATED

TOTAL # OF BOATSLIPS _____



FIXED AND FLOATING DECK ROOF MULTISLIP FACILITY PARALLEL TO SHORELINE