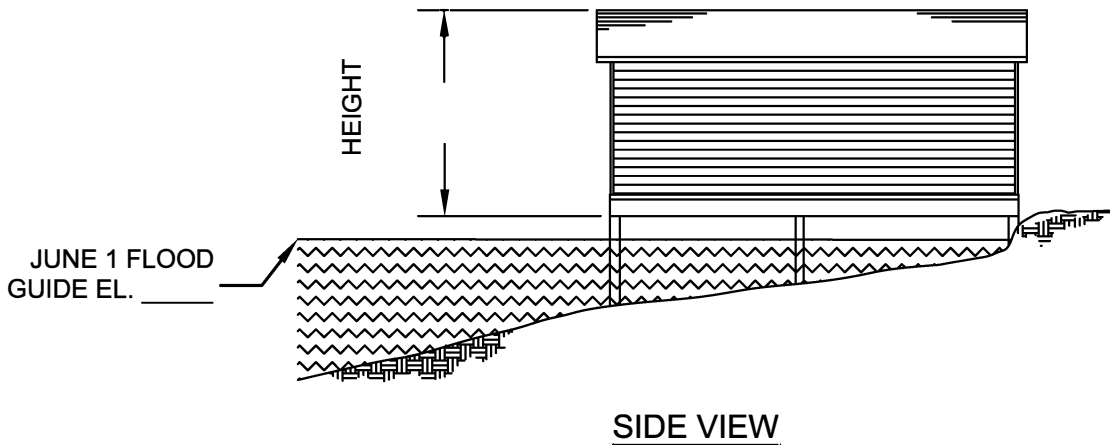
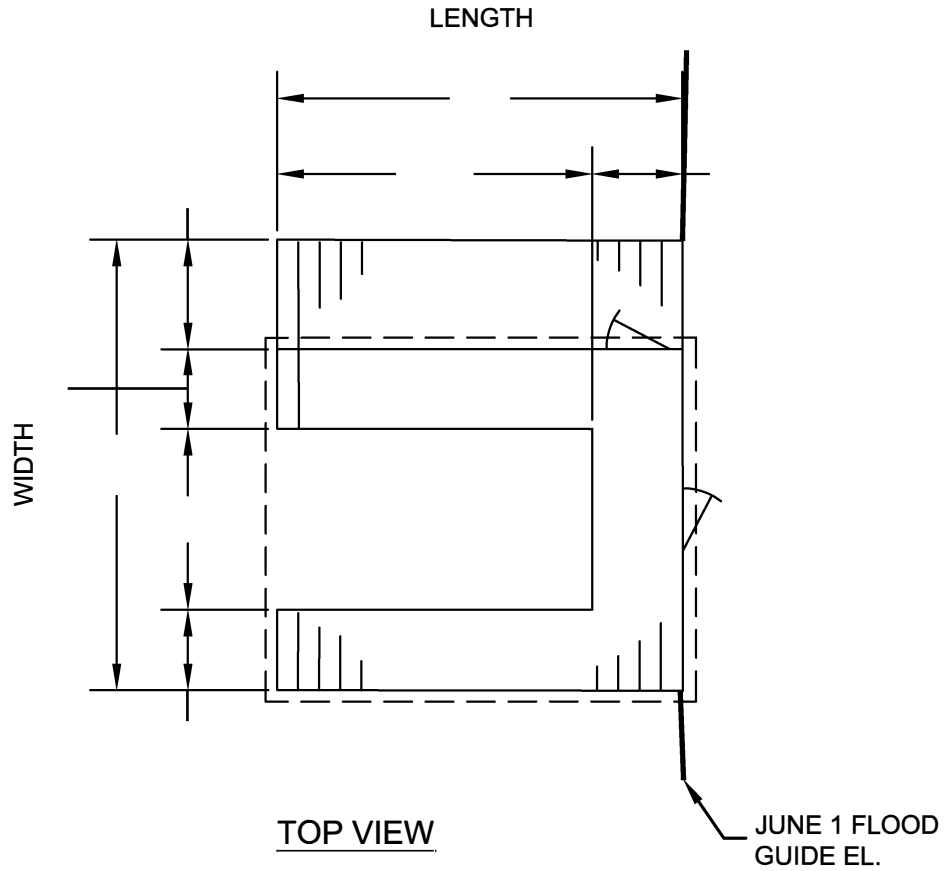


Other Common Facilities: (Check all that apply and show dimensions on plans, or attach additional plans)

- Boat Lift
- PWC / Jet Ski Port
- Water Intake
- Enclosed Storage
- Utilities (Water and/or Electric)
- Other
- Fixed Pier/Pile Installation
  - Driven
  - Excavation w/ concrete



FIXED BOATHOUSE WITH SWIM DECK ON RIGHT  
WITHOUT ACCESS WALKWAY

Applicant		ID:	
Reservoir:		Tract:	
Subdivision:		Lot Number:	
Lakeward Extension:		June 1 Flood Guide Elevation:	
Facility Footprint:		River / River Mile:	