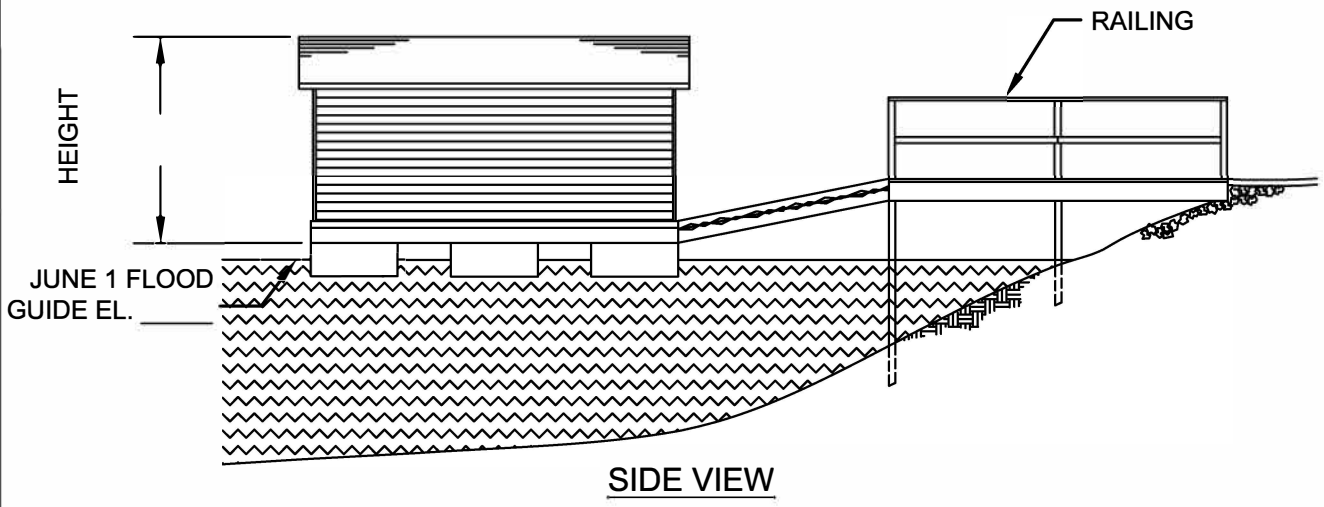
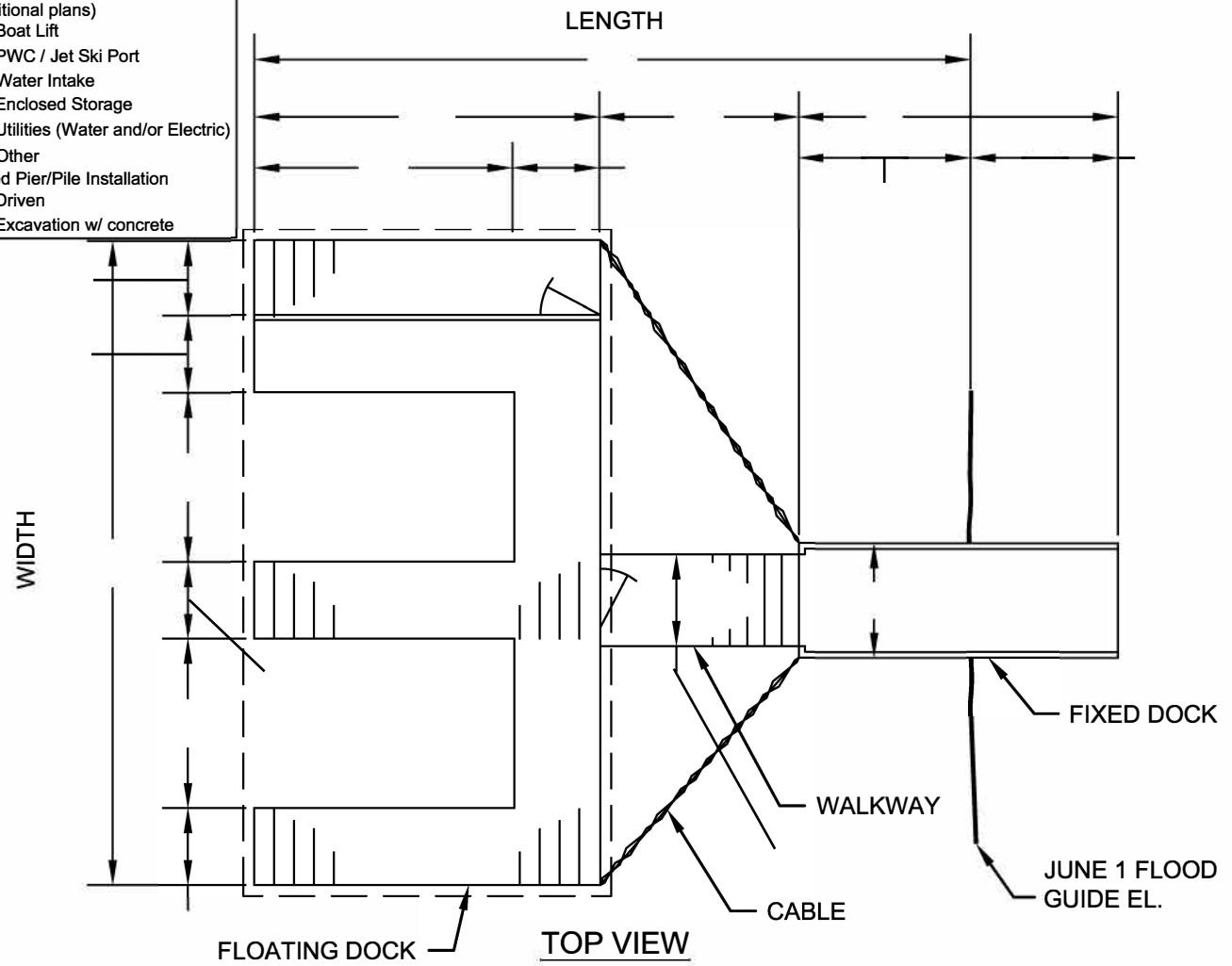


- Other Common Facilities: (Check all that apply and show dimensions on plans, or attach additional plans)
- Boat Lift
  - PWC / Jet Ski Port
  - Water Intake
  - Enclosed Storage
  - Utilities (Water and/or Electric)
  - Other
- Fixed Pier/Pile Installation
- Driven
  - Excavation w/ concrete



**FIXED AND FLOATING DOUBLE BOATHOUSE WITH SWIM DECK ON RIGHT**

Applicant		ID:	
Reservoir:		Tract:	
Subdivision:		Lot Number:	
Lakeward Extension:		June 1 Flood Guide Elevation:	
Facility Footprint:		River / River Mile:	